

Single-lever bidet mixer with pop-up waste - Chrome

MEM

33 600 782

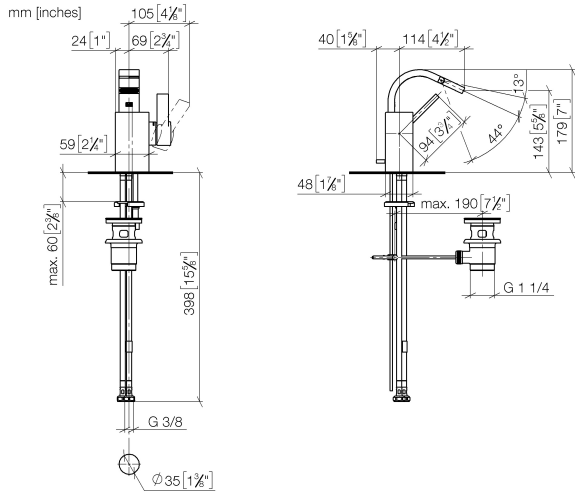


- 110mm projection
- ball-joint pivotable through 44°
- rectangular, air-enriched flow
- height of mixer 180 mm
- height up to aerator 140 mm
- hole diameter 35 mm
- 2x screw-in M 10 x 1 pressure hose, leak-tested
- max. flow 6 l/min
- WRAS 1807016

Fits: MEM, CYO

	Chrome	33 600 782-00
	Brushed Platinum	33 600 782-06
	Platinum	33 600 782-08
	Dark Chrome	33 600 782-19
	Brushed Durabronze (23kt Gold)	33 600 782-28
	Brushed Champagne (22kt Gold)	33 600 782-46
	Champagne (22kt Gold)	33 600 782-47
	Brushed Dark Platinum	33 600 782-99

33 600 782



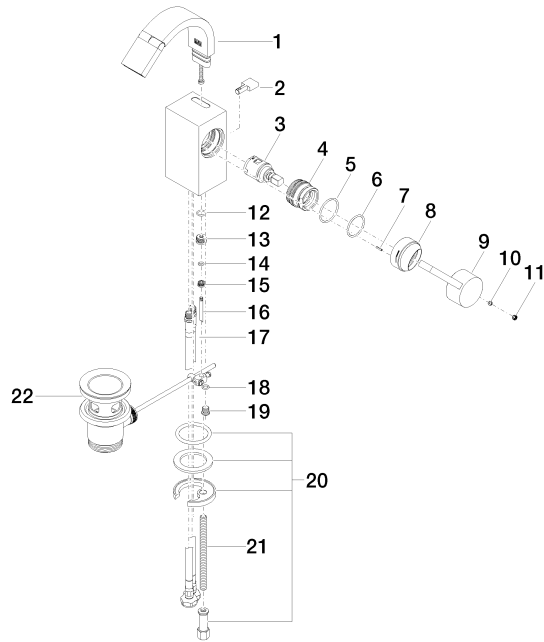
Flow rate chart



Certificates

LGA\_28444.      WRAS\_1807016.      WRAS\_240202017.

33 600 782





## Single-lever bidet mixer with pop-up waste - Chrome

MEM

33 600 782

### Spare parts list

No.	Item Number	Name	Quantity used	Delivery time
1	90 28 22 265 00-00	spout	1	10
2	09 20 78 032-00	handle	1	10
3	90 15 05 042 00 90	cartridge	1	2
4	09 24 04 288 90	nut	1	2
5	09 14 10 137 90	seal	1	2
6	90 14 10 063 00 90	seal	1	2
7	09 31 11 152 90	pin	1	2
8	09 28 30 028-00	cover	1	10
9	09 20 78 057-00	handle	1	10
10	90 31 11 063 00 90	pin	1	2
11	90 31 20 109 00 90	plug	1	2
12	09 14 10 042 90	seal	1	2
13	09 24 04 289-00	nipple	1	10
14	09 14 10 166 90	seal	1	2
15	09 24 04 290 90	nipple	1	2
16	09 31 09 080-00	pull-rod	1	10
17	04 30 04 104 00 90	hose	2	2
18	09 14 10 132 90	seal	1	2
19	09 31 20 027 10-00	plug	1	10
20	04 30 11 038 75 90	fixing set	1	2
21	09 31 11 012 90	pin	1	2
22	90 11 01 001 00-00	pop-up waste	1	10